

Sub-118A

Dynamics series



INTRODUCTION

The D.A.S. Sub-118A is a self-powered vented sub-woofer system.

APPLICATIONS

The Sub-118A is designed for applications where subwoofer reinforcement is required such as fixed and portable sound reinforcement, musical instruments, and clubs.

DESCRIPTION

The Sub-118A incorporates a class D switching amplifier, delivering 500 W to the low frequency transducer. The amplifier is protected against undervoltage, and provides soft clipping, soft start up and mute/unmute functions.

The Sub-118A houses a D.A.S. P-18 18" cone transducer configured as a direct radiator. This driver features a 3" edgewound coil and a carefully engineered cooling scheme, resulting in high power handling and low power compression.

The compact enclosure is manufactured from MDF and is finished with a hard wearing catalyzed polyurethane paint that permits color adaptations and provides weather resistance. Loudspeaker components are protected by a heavy-duty steel grille sealed against corrosion using a polyamide powder coat finish.

FEATURES

- » Self-powered direct radiator sub-woofer system
- » 500 W power amplifier
- » 18" low frequency speaker
- » Rugged steel grille

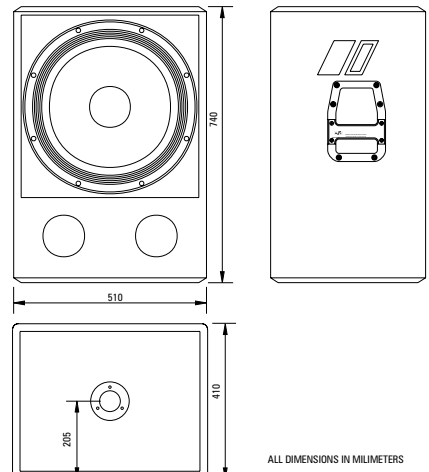
SPECIFICATIONS

Power Amplifier^A:	500 W _{RMS}
Input Type:	Balanced Differential for Line
Input Impedance:	Line: 25 kΩ
Sensitivity:	Line: 1.2 V (+3.8 dBu)
On-axis Acoustical Frequency Range:	35 Hz - 150 Hz
Rated Maximum Peak SPL at 1 meter:	131 dB
Nominal -6 dB Beamwidths^B:	360° Horizontal
(100 Hz octave)	360° Vertical
Enclosure Material:	MDF
Finish:	Black Catalyzed Polyurethane Paint
Transducers/Replacement Parts:	P-18/GM P-18
Connectors:	INPUT: Female XLR LOOP THRU: Male XLR AC INPUT: PowerCon NAC 3
AC Power Requirements:	115 V, 50 Hz/60 Hz 230 V, 50 Hz/60 Hz
Dimensions (H x W x D):	74 x 51 x 41 cm (29.6 x 20.4 x 16.4 in)
Weight:	36 kg (79 lbs)
Shipping Weight:	38.8 kg (85.2 lbs)

PLACEMENT

As with any bass unit, the Sub-118A's low frequency output will benefit from placement against walls and/or floors.

The top panel contains a standard 35 mm diameter pole mount socket for use with metal posts for mounting full-range D.A.S. systems to the SUB-118A sub-woofer unit.



ALL DIMENSIONS IN MILLIMETERS



TE072-00
12/00

^A 4 ohm load @ 0.05% THD+N.
^B Average of one-third octave band measures.